



BT16xxT SERIES

HCMOS/TTL DIL-14 TCXO



FEATURES:

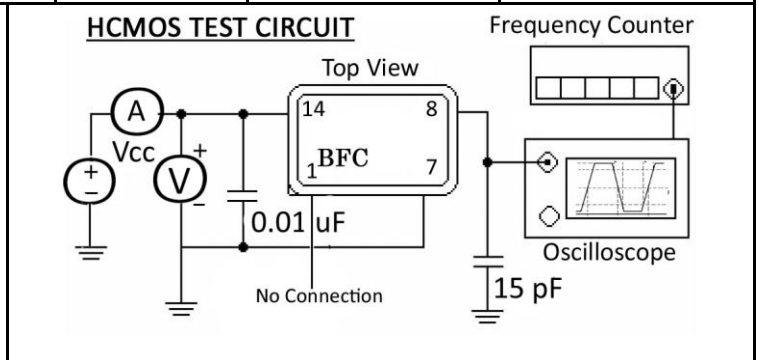
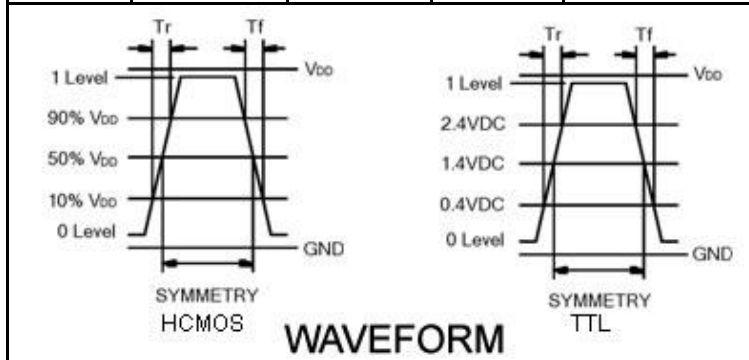
- HERMETICALLY SEALED DIL-14 THRU-HOLE PACKAGE
- HCMOS SQUARE WAVE OUTPUT
- RoHS Compliant; Pb FREE
- WIDE FREQUENCY RANGE: 1.0 MHz TO 156.0 MHz
- FREQUENCY STABILITY AS TIGHT AS ± 1.0 PPM
- -40 TO +85°C TEMPERATURE RANGE AVAILABLE

BT16xxT TCXO SERIES SPECIFICATIONS								
Supply Voltage (Vcc)	5Vdc $\pm 5\%$			3.3Vdc $\pm 5\%$				
Frequency Range	1.0 to 200MHz (Fund : up to 40MHz)			1.0 to 160MHz (Fund : up to 40MHz)				
Output Wave Form	Square wave HCMOS/TTL							
Supply Current	20mA @ 20.0 MHz							
Duty Cycle	60/40%, 55/45%							
Rise Time and Fall Time	5.0ns max. 20% \leftrightarrow 80% of waveform							
Start-Up Time.	10ms max.							
Output Load	15pF/10TTL							
Frequency Stability Vs.	Supply Voltage	± 0.3 ppm (Vcc $\pm 5\%$ change)						
	Load Changes	± 0.3 ppm (Load $\pm 5\%$ change)						
	Aging	± 1.0 ppm Max / Year						
Storage Temperature	-40 to 85°C							
SSB Phase Noise At 25°C	Offset	10 Hz	100Hz	1 kHz	10 kHz	100 kHz	1 MHz	
	3.3V-10.0MHz	98.42dBc/Hz	124.8dBc/Hz	145.3dBc/Hz	156.8 dBc/Hz	159.4 dBc/Hz	159.7dBc/Hz	
	3.3V-146.2857MHz	48.72dBc/Hz	80.17dBc/Hz	106.7dBc/Hz	118.94dBc/Hz	139.85dBc/Hz	150.5dBc/Hz	
Frequency Stability (max)		± 1.0 ppm	± 1.5 ppm	± 2.0 ppm	± 2.5 ppm	± 3.0 ppm	± 4.0 ppm	± 5.0 ppm
Temperature Range (°C)	0 to 60°C	Contact us	YES	YES	YES	YES	YES	YES
	0 to 70°C	Contact us	Contact us	YES	YES	YES	YES	YES
	-10 to 60°C	Contact us	Contact us	YES	YES	YES	YES	YES
	-10 to 70°C	Contact us	Contact us	YES	YES	YES	YES	YES
	-20 to 70°C	Contact us	Contact us	Contact us	YES	YES	YES	YES
	-30 to 75°C	N/A	Contact us	Contact us	Contact us	YES	YES	YES
	-40 to 85°C	N/A	N/A	Contact us	Contact us	Contact us	YES	YES

BT16xxT TCXO SERIES PART NUMBER GUIDE							
MODEL	STABILITY	OUTPUT	VOLTAGE	OPERATING TEMP(°C)	SYMMETRY	GullWing Lead Option	FREQUENCY
BT16	01= ± 1 ppm	T=HCMOS	5 = 5.0V	A = 0°C to 70°C	Blank=60/40%	Blank=None	In MHz
	15= ± 1.5 ppm		33 = 3.3V	B = 0°C to 60°C	S = 55/45%	G=Gullwing Lead Form	
	02= ± 2 ppm			C = -10°C TO 60°C			
	25= ± 2.5 ppm			H = -10 to 70°C			
	03 = ± 3 ppm			D = -20°C TO 70°C			
	04 = ± 4 ppm			E = -30°C TO 75°C			
	05 = ± 5 ppm			M = -40°C TO 85°C			

PART NUMBER EXAMPLE

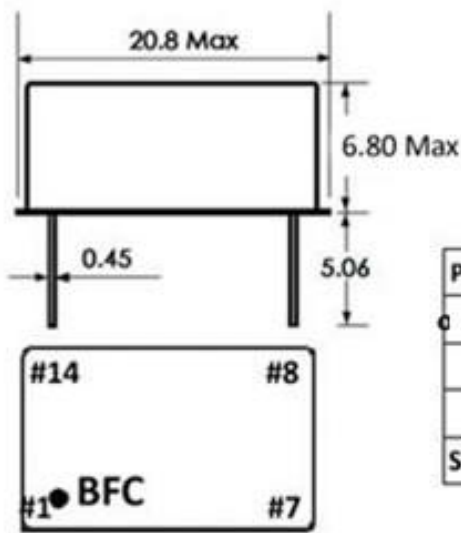
BT16	02	T	33	A	S		10.0
------	----	---	----	---	---	--	------





BT16xxT SERIES

HCMOS/TTL DIL-14 TCXO



PIN CONNECTION	PIN #
N/C	#1
GROUND	#7
OUTPUT	#8
SUPPLY VOLTAGE	#14

