

**Applications:**

- Phase Locked Loops (PLL's)
- Clock Recovery
- Reference Signal Tracking
- Synthesizers
- Frequency Modulation/Demodulation
- [Click Here To Request a Quote](#)

**Features:**

- 2.0 to 52.0 MHz Frequency Range
- 0.5V to 4.5V Control Voltage
- ± 25ppm Stability
- Variety of Deviation Sensitivity Options
- -40°C to +85°C Operating Temperature Range
- UM1 Crystal [Click Here for Solder Reflow Profile](#)

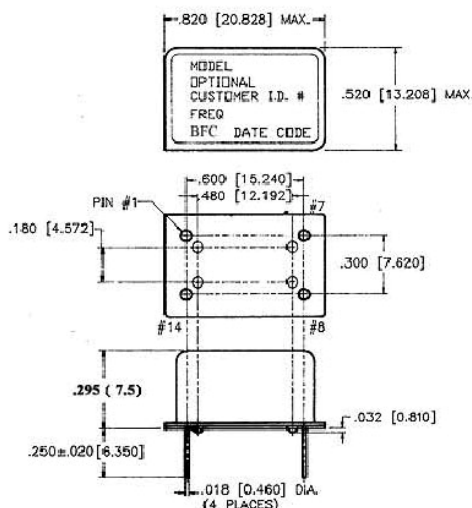


**ELECTRICAL SPECIFICATIONS**

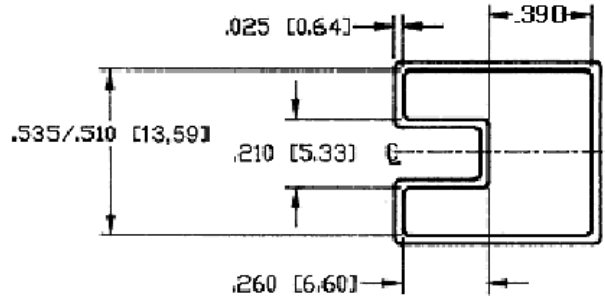
Model		BV1524AA-3
Frequency Range (MHz)		2 to 52.000
Input Current (mA)		< 26
Frequency Control Function		<b>For Custom Deviation Range, Vc Range, etc, Consult Factory</b>
Deviation (ppm)	Minimum	± 300 ppm
	Maximum	± 525 ppm
Linearity (%)		< 15
Modulation Bandwidth (3 dB)		> 20 KHz
Nominal Control Voltage (V)		1.65
Control Voltage Range (V)		0 to 3.3V
Transfer Function		Positive
Input Impedance		>50K ohms @ 10 KHz
<b>Frequency Stability (ppm)</b>		
Overall		<b>Inclusive of Calibration, Temp. Volt. Load and Aging</b>
0°C to +70°C		± 50ppm
-40°C to +85°C		± 70ppm
Temperature Range	Operating	-40°C to +85°C
	Storage	-40°C to +125°C
Supply Voltage		+3.3 V ±5%
Symmetry (%) CMOS/TTL		40/60
Start Up Time (ms)		< 10
Typical SSB Phase Noise (dBc/Hz) Offset from Carrier	10Hz	-65
	100 Hz	-95
	1 KHz	-120
	10 KHz	-140
	100 KHz	-150

**Mechanical Dimensions**

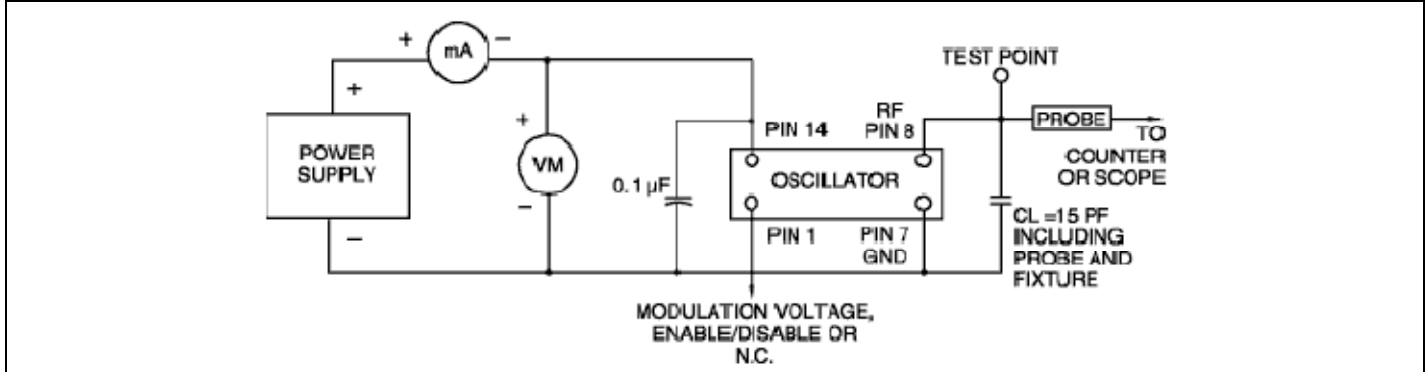
PIN	Function
1	Voltage Control
7	Gnd / & Case Gnd
8	Output
14	+ Vcc



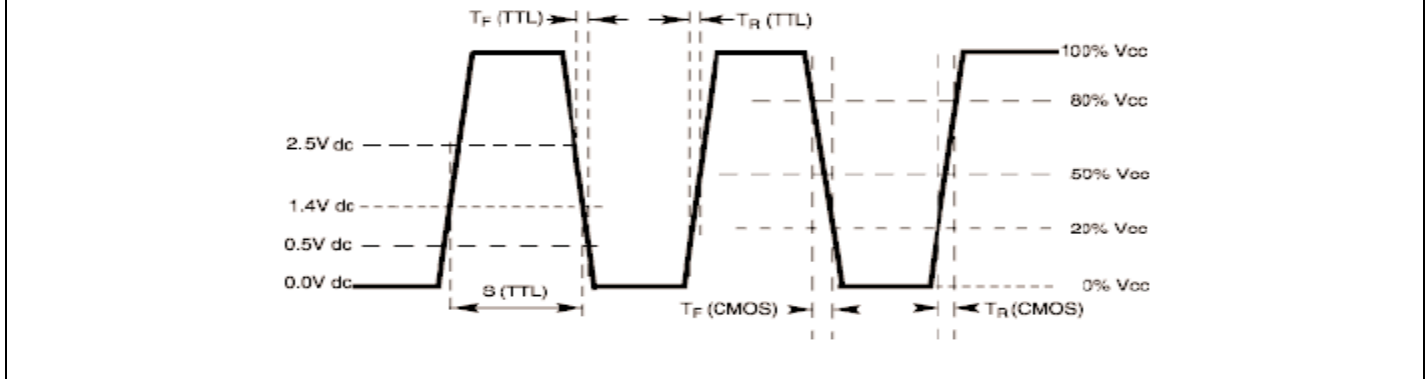


Part Numbering Guide	Shipping Tube Cross Section
<p>BV1524AA-3 X – Specify Frequency</p> <p>“Blank” = 0°C to 70°C Operating Temp. “M” = -40°C to +85°C Operating Temp.</p>	

**Test Circuit Diagram**



**Output Waveform**



Brookdale Frequency Controls, Inc.  
 81-G E. Jefryn Blvd., Deer Park, NY 11729 USA  
 Phone: 1-866-280-7700 or 631-242-1402 Fax: 631-595-1845  
 E-mail: [sales@bfc-inc.com](mailto:sales@bfc-inc.com) Website: [www.bfc-inc.com](http://www.bfc-inc.com)  
 ©2008 Brookdale Frequency Controls